

MAXIMUM MOUNTING LENGTH	
-S38	63 cm [24-3/4"]
-M46	76 cm [29-3/4"]
-L62	96 cm [37-3/4"]



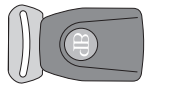
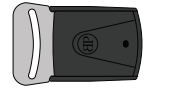
MINIMUM MOUNTING LENGTH	
-S38	43 cm [16-3/4"]
-M46	50 cm [19-3/4"]
-L62	65 cm [25-3/4"]

STRAP WIDTH	
-S38	27 mm [1-1/16"]
-M46	40 mm [1-9/16"]
-L62	52 mm [2-1/16"]

PAD WIDTH	
-S38	5 cm [2"]
-M46	5.5 cm [2-1/4"]
-L62	7 cm [2-3/4"]

PADDED LENGTH	
-S38	38 cm [15"]
-M46	46 cm [18"]
-L62	62 cm [24-1/2"]

BUCKLE MODEL VARIANTS

				
	<i>XS METAL PUSH-BUTTON</i> (Chrome Plated Heat-treated Steel, ABS Plastic)	<i>SWIVEL</i> (Acetal Plastic)	<i>PUSH-BUTTON</i> (Chrome Plated Heat-treated Steel, impact-modified PA and POM plastic)	<i>DURALATCH</i> (Acetal Plastic, Stainless Steel & Satin Chrome Plated Heat-treated Steel Tongue)
-S38	EB235-S38	EB275-S38	N/A	N/A
-M46	N/A	EB275-M46	EB205-M46	EB285-M46
-L62	N/A	N/A	EB205-L62	EB285-L62



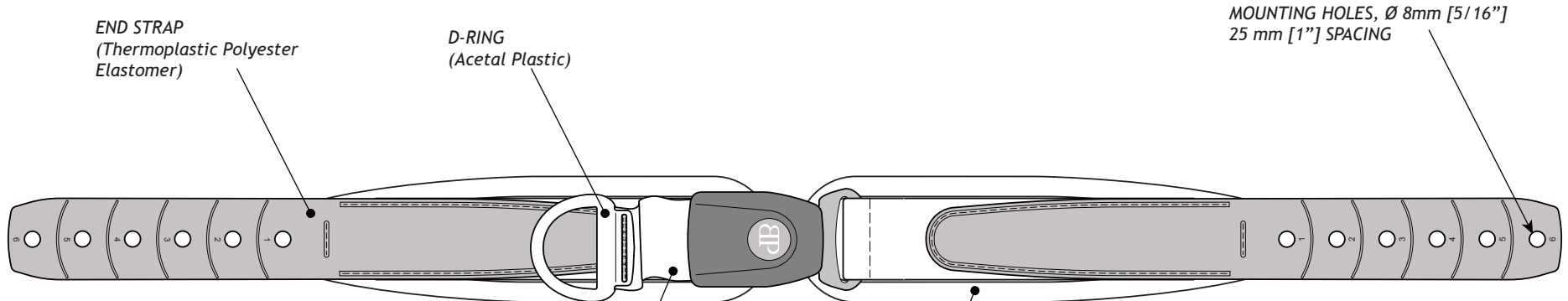
part description
EVOFLEX BELT, TECHNICAL SPECS

part no.
EB205, EB235, EB275, EB285

This information is proprietary to Bodypoint. Copyright 2025.

border AH-D-TECH_ID_revA
page 1 of 3

date origin 2026-01-21
date approved 2026-01-30
drawing no. **D26-0121-10**
rev **A.00**

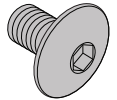
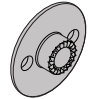
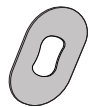



ADJUSTMENT STRAP RANGE
(Nylon Webbing)

-S38	8.5 cm [3-1/4"]
-M46	10 cm [4"]
-L62	12.5 cm [5"]

VELCRO® COMPATIBLE HOOK-AND-LOOP PAD

INCLUDED MOUNTING FASTENERS
(NICKEL PLATED STEEL)

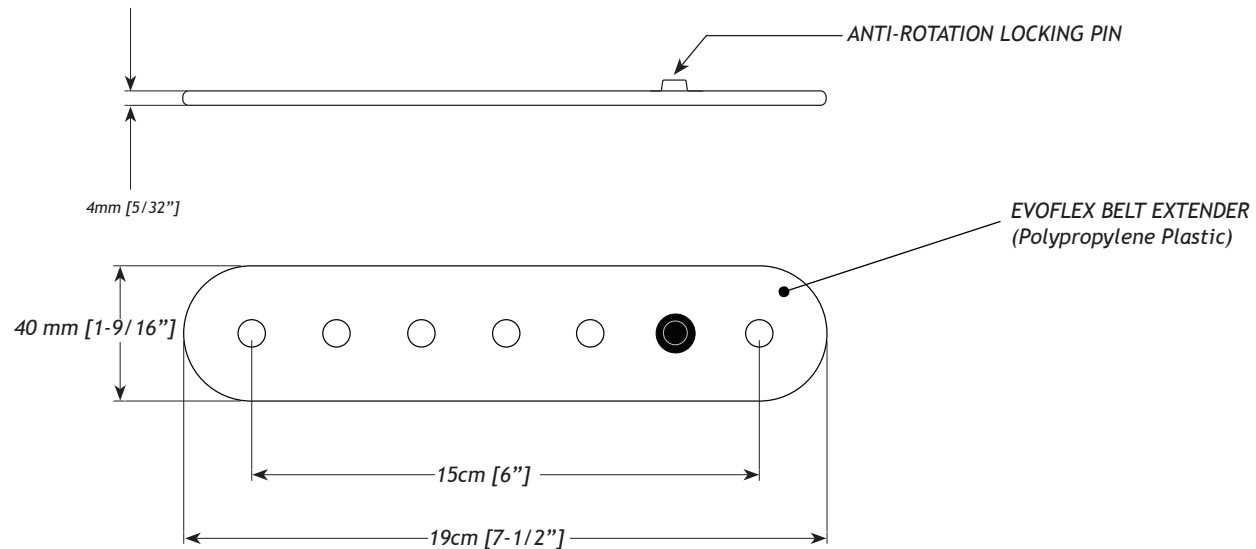
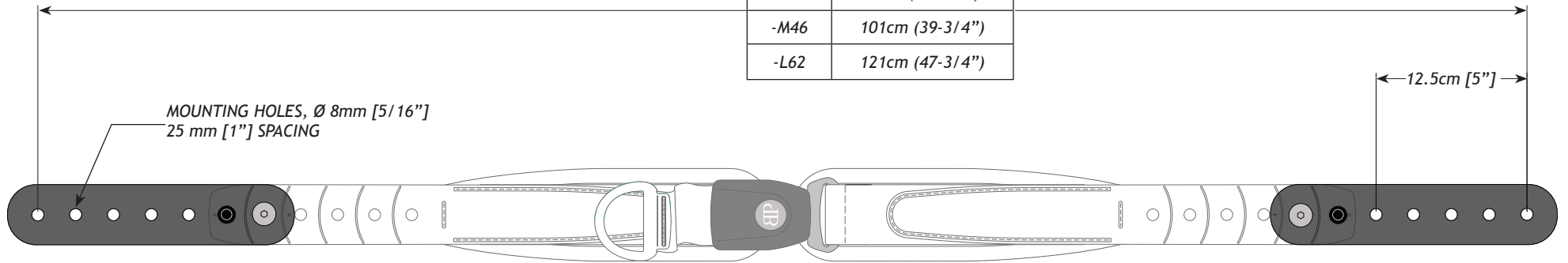
	2X M6 X 8 SCREW
	2X M6 LOW-PROFILE FLANGE NUT
	2X SPRING WASHER

 Bodypoint® TECHNICAL BULLETIN	part description	EVOFLEX BELT, TECHNICAL SPECS This information is proprietary to Bodypoint. Copyright 2025.		date origin		2026-01-21
	part no.			border AH-D-TECH_ID_revA		date approved
		page 2 of 3		drawing no.		D26-0121-10
				rev		A.00

EBE100 EVOFLEX BELT EXTENDER GENERAL SPECIFICATIONS

MAXIMUM MOUNTING LENGTH WITH EXTENDERS

-S38	88cm (34-3/4")
-M46	101cm (39-3/4")
-L62	121cm (47-3/4")



part description

EVOFLEX BELT, TECHNICAL SPECS

This information is proprietary to
Bodypoint. Copyright 2025.

date origin

2026-01-21

date approved

2026-01-30

part no.

EB205, EB235, EB275, EB285

border

AH-D-TECH_ID_revA

drawing no.

rev

page

3 of 3

D26-0121-10

A.00